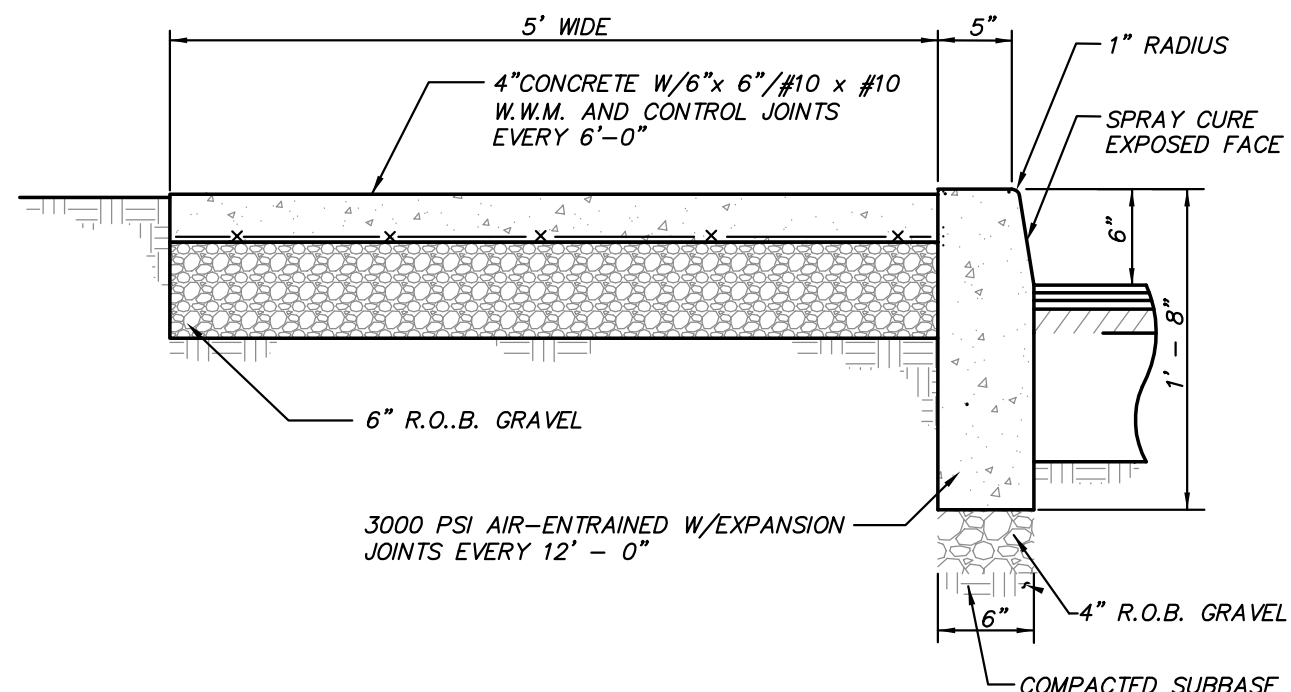
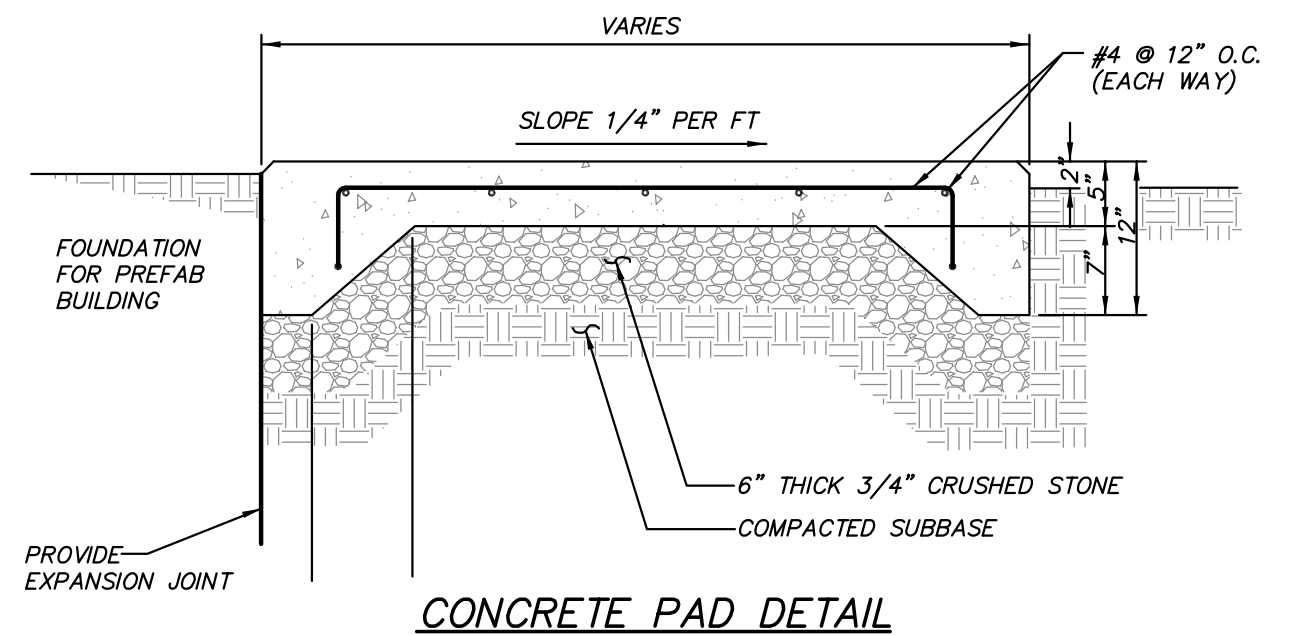


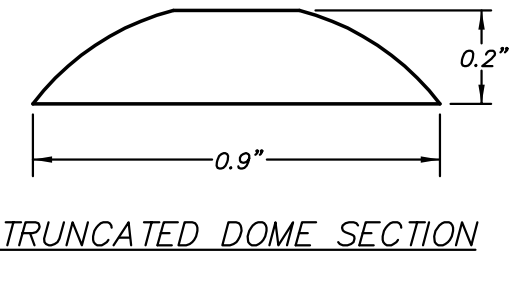
CONCRETE SIDEWALK DETAIL
(N.T.S.)



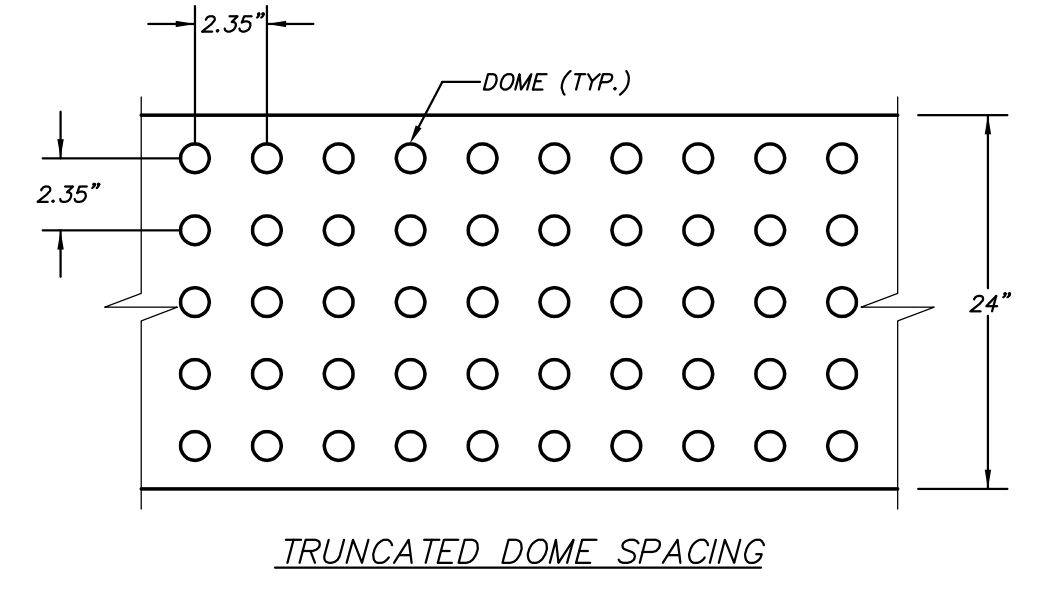
CONCRETE SIDEWALK AND CURB DETAIL
(N.T.S.)



CONCRETE PAD DETAIL
(N.T.S.)

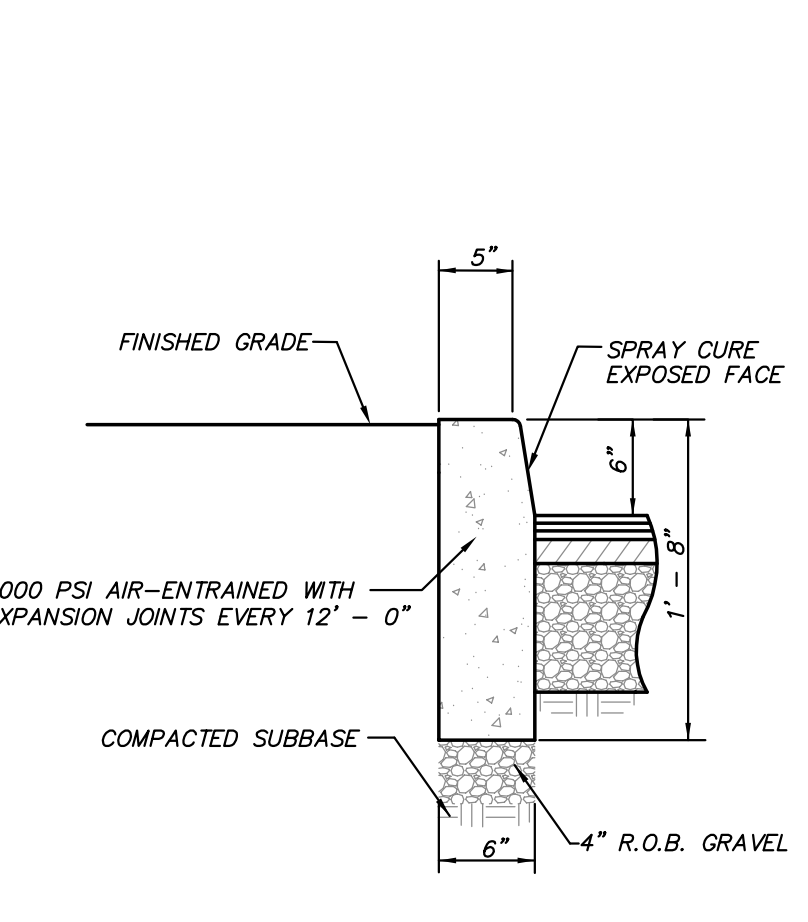


TRUNCATED DOME SECTION

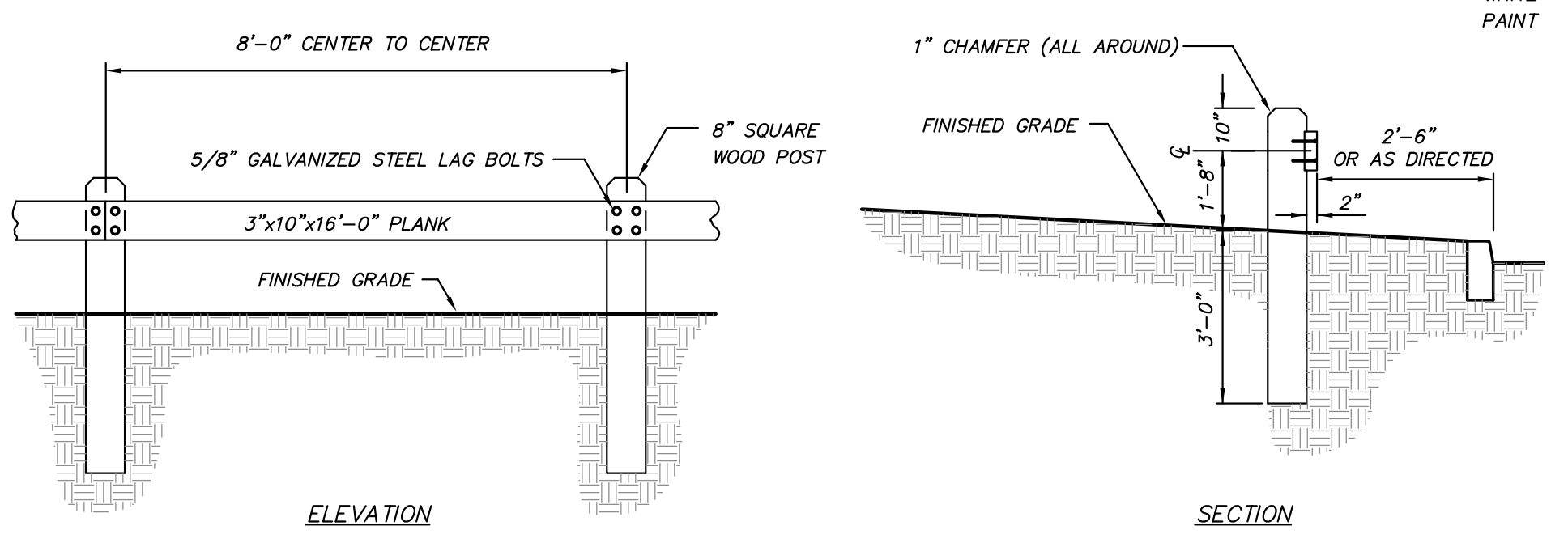


TRUNCATED DOME SPACING

TRUNCATED DOME DETAIL
(N.T.S.)



CONCRETE CURB DETAIL
(N.T.S.)



ELEVATION

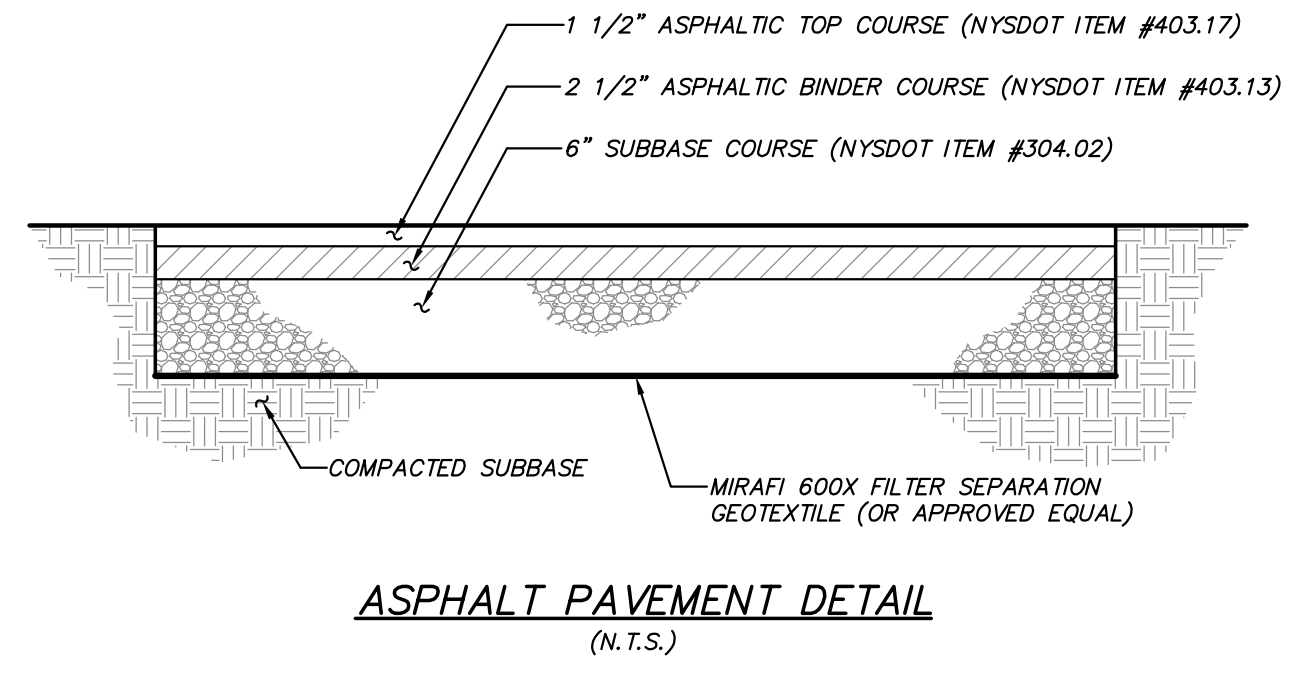
WOOD GUIDE RAIL DETAIL
(N.T.S.)

NOTES:

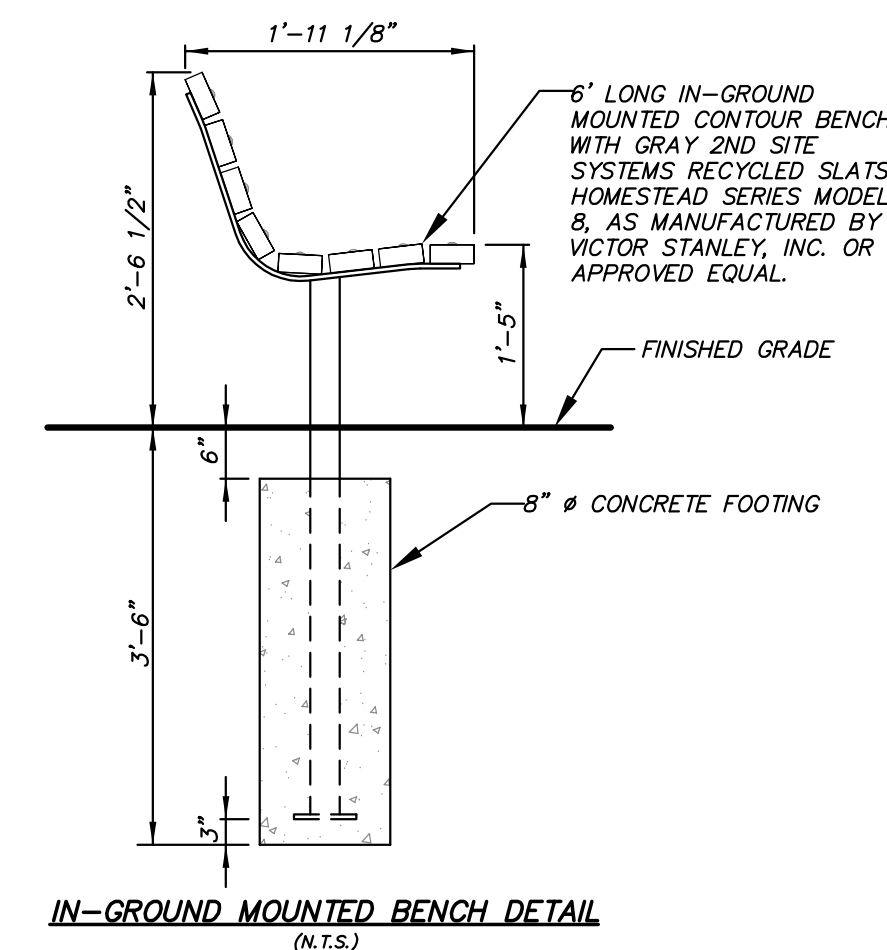
1. ALL WOOD TO BE SEASONED NO.1 DOUGLAS FIR, SOUTHERN PINE OR OTHER APPROVED STRUCTURAL LUMBER.
2. ALL WOOD TO BE TREATED WITH AN APPROVED WOOD PRESERVATIVE SUITABLE FOR INSTALLATION IN AND ADJACENT TO GROUND SURFACES.

LOCATION NO.	TEXT	M.U.T.C.D. NUMBER	SIZE OF SIGN (s.f.)	DESCRIPTION
1		XXX	XX	XXX
2		R7-1	12" x 18"	Red on White
3		NY R7-B*	12" x 18"	Green on White Blue Symbol
		R7-BP	12" x 6"	Green on White

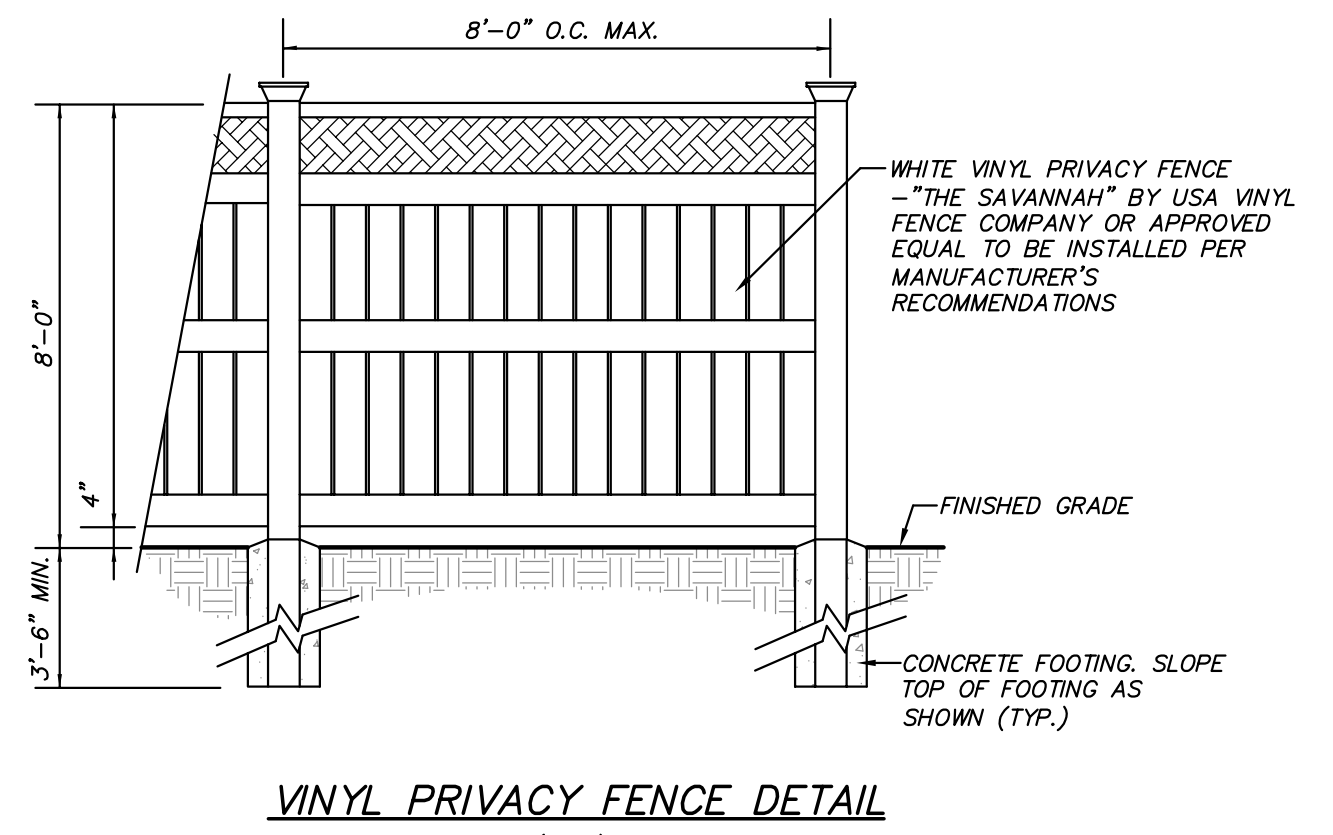
SIGN DATA TABLE



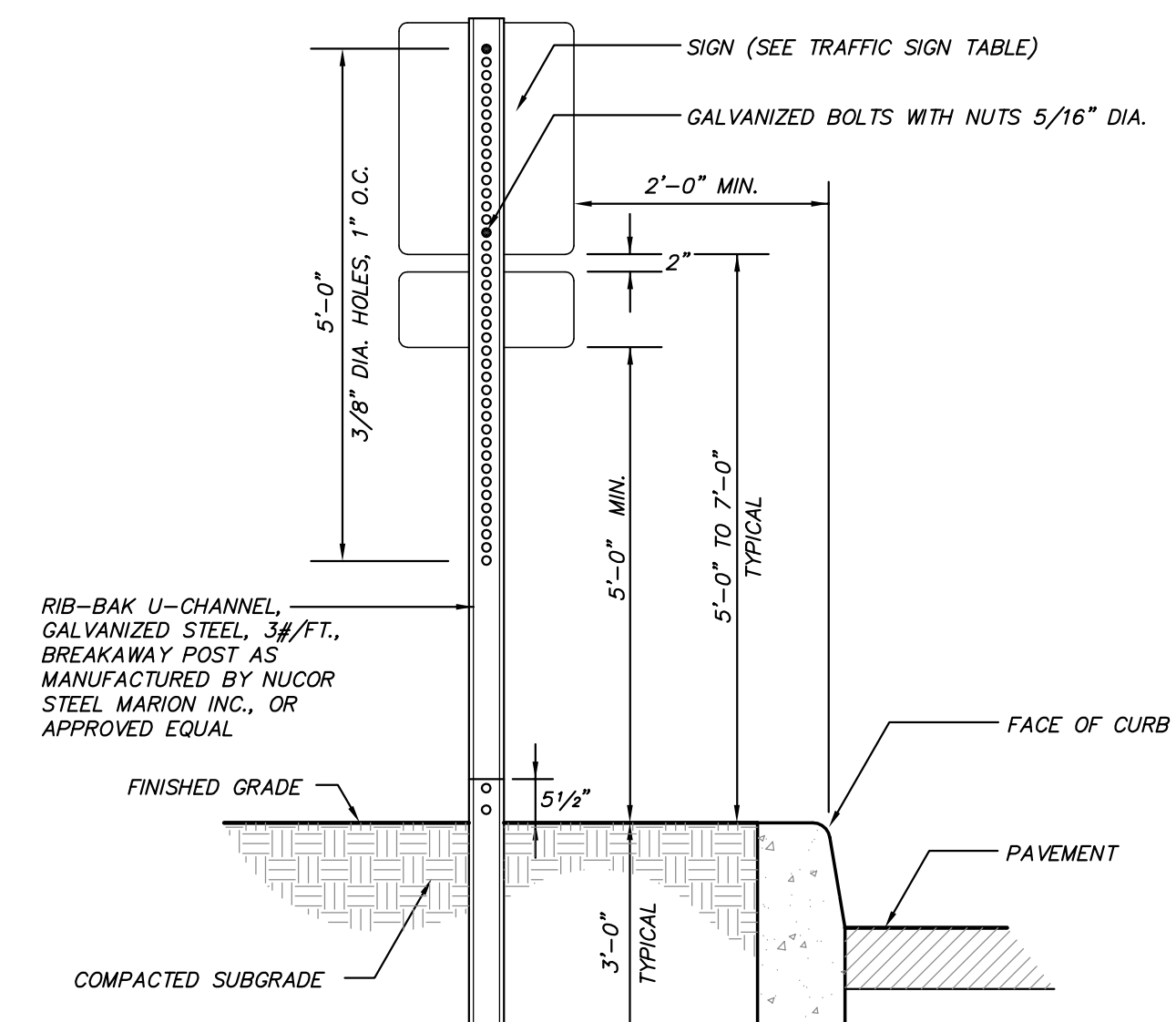
ASPHALT PAVEMENT DETAIL
(N.T.S.)



IN-GROUND MOUNTED BENCH DETAIL
(N.T.S.)

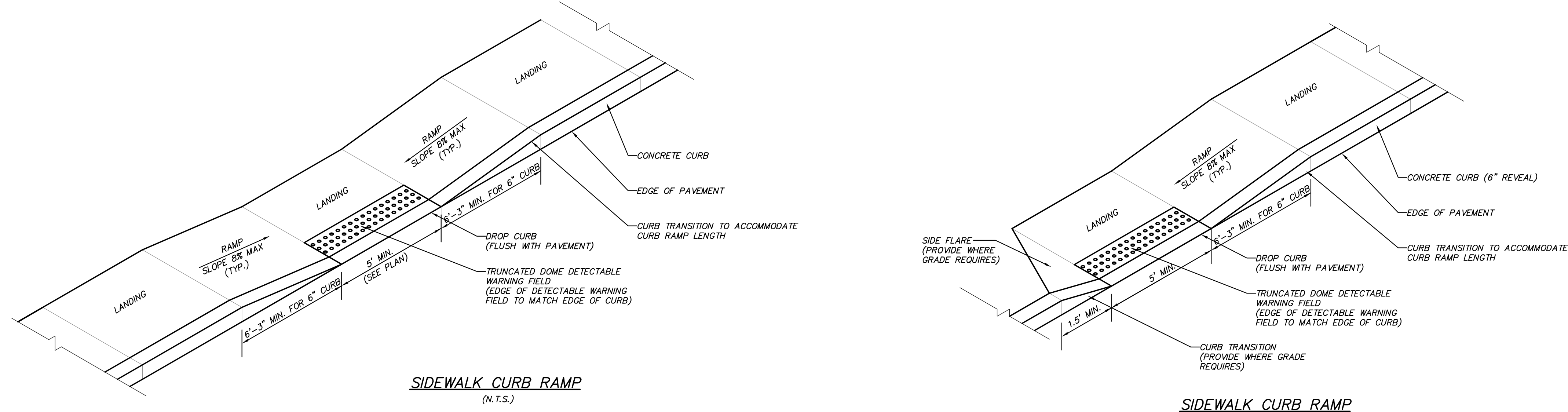


VINYL PRIVACY FENCE DETAIL
(N.T.S.)



TRAFFIC SIGN DETAIL
(N.T.S.)

NOTE: FOR HANDICAP PARKING SIGNAGE, SIGNS SHALL BE INSTALLED AT A CLEAR HEIGHT OF BETWEEN 5'-0" AND 7'-0" ABOVE GRADE OF PARKING SPACE AND SUCH THAT SIGNS SHALL NOT BE OBTUSCURED BY A VEHICLE PARKED IN THE SPACE.

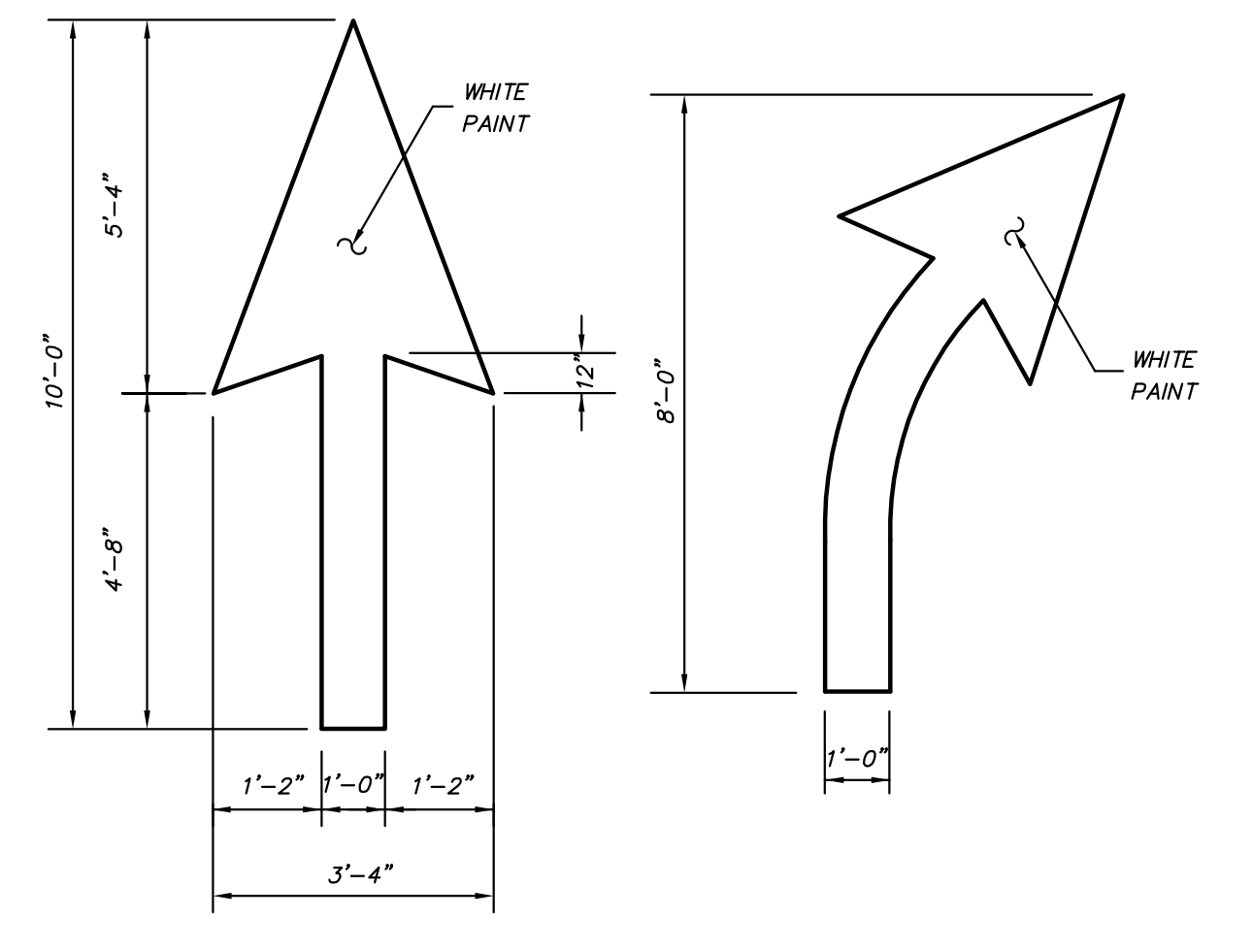


SIDEWALK CURB RAMP
(N.T.S.)

SIDEWALK CURB RAMP
(N.T.S.)

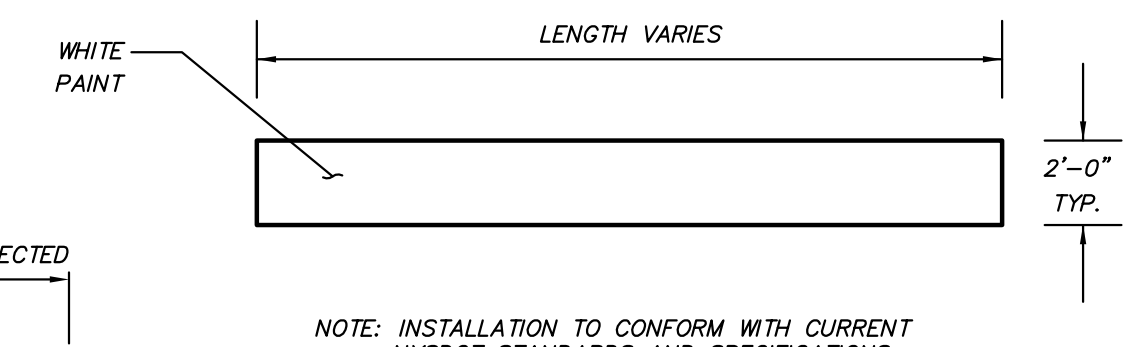
NOTES:

1. THE DETECTABLE WARNING FIELD SHALL CONSIST OF RAISED TRUNCATED DOMES WITH A NOMINAL DIAMETER OF 0.9 INCHES, A NOMINAL HEIGHT OF 0.2 INCHES, AND A NOMINAL SPACING OF 2.35 INCHES ON CENTER IN ACCORDANCE WITH THE DEPARTMENT OF JUSTICE-CODE OF FEDERAL REGULATIONS, 28 CFR PART 36, CHAPTER 4 "ADA STANDARDS FOR ACCESSIBLE DESIGN", REVISED AS OF JULY 1, 1994.
2. THE DETAILS PROVIDED ARE NOT DRAWN TO SCALE. THE QUANTITY OF DOMES DEPICTED ON THE DETECTABLE WARNING FIELD (THE DOMES AND THE ENTIRE 24 INCH LEVEL SURFACE) IS FOR ILLUSTRATION ONLY.
3. THE SIZE OF THE DETECTABLE WARNING FIELD SHALL BE 24 INCHES IN THE DIRECTION OF TRAVEL AND SHALL EXTEND THE FULL WIDTH OF THE CURB RAMP OR FLUSH SURFACE, EXCLUSIVE OF SIDE FLARES.
4. DETECTABLE WARNING DOMES SHALL BE LOCATED SO THAT THE EDGE OF THE WARNING FIELD NEAREST TO THE ROADWAY OR STREET SURFACE IS 6 INCHES TO 9 INCHES FROM THE EDGE OF THE ROADWAY/STREET, OR FROM THE FRONT OF THE DROPPED CURB, WHERE A DROPPED CURB CONTINUES ACROSS THE BOTTOM OF THE SIDEWALK CURB RAMP.
5. DOMES SHALL BE ALIGNED ON A SQUARE GRID IN THE PREDOMINANT DIRECTION OF TRAVEL.
6. THE DETECTABLE WARNING FIELD SHALL BE THE COLOR SPECIFIED IN THE CONTRACT DOCUMENTS.
7. PAYMENT LINES ARE THE 24 INCH DIMENSION SHOWN IN THE DETAILS EXTENDING THE FULL WIDTH OF THE CURB RAMP AND/OR APPLICABLE SURFACES.
8. THE DETECTABLE WARNING SHALL BE A NON-SKID LIQUID APPLIED TRUNCATED DOME FIELD AS MANUFACTURED BY VANGUARD ADA SYSTEMS OF AMERICA, OR APPROVED EQUAL.
9. PROVIDE A BROOM FINISH FLUSH TO ADJACENT SIDEWALK/CURB, ON ALL AREAS TO RECEIVE THE DETECTABLE WARNING FIELDS.



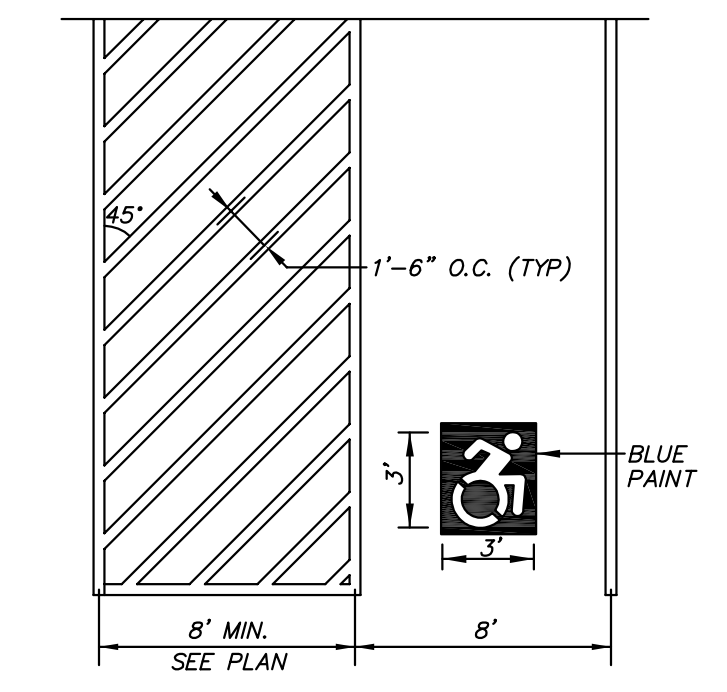
DIRECTIONAL ARROWS DETAIL
(N.T.S.)

NOTE: INSTALLATION TO CONFORM WITH CURRENT NYS DOT STANDARDS AND SPECIFICATIONS.



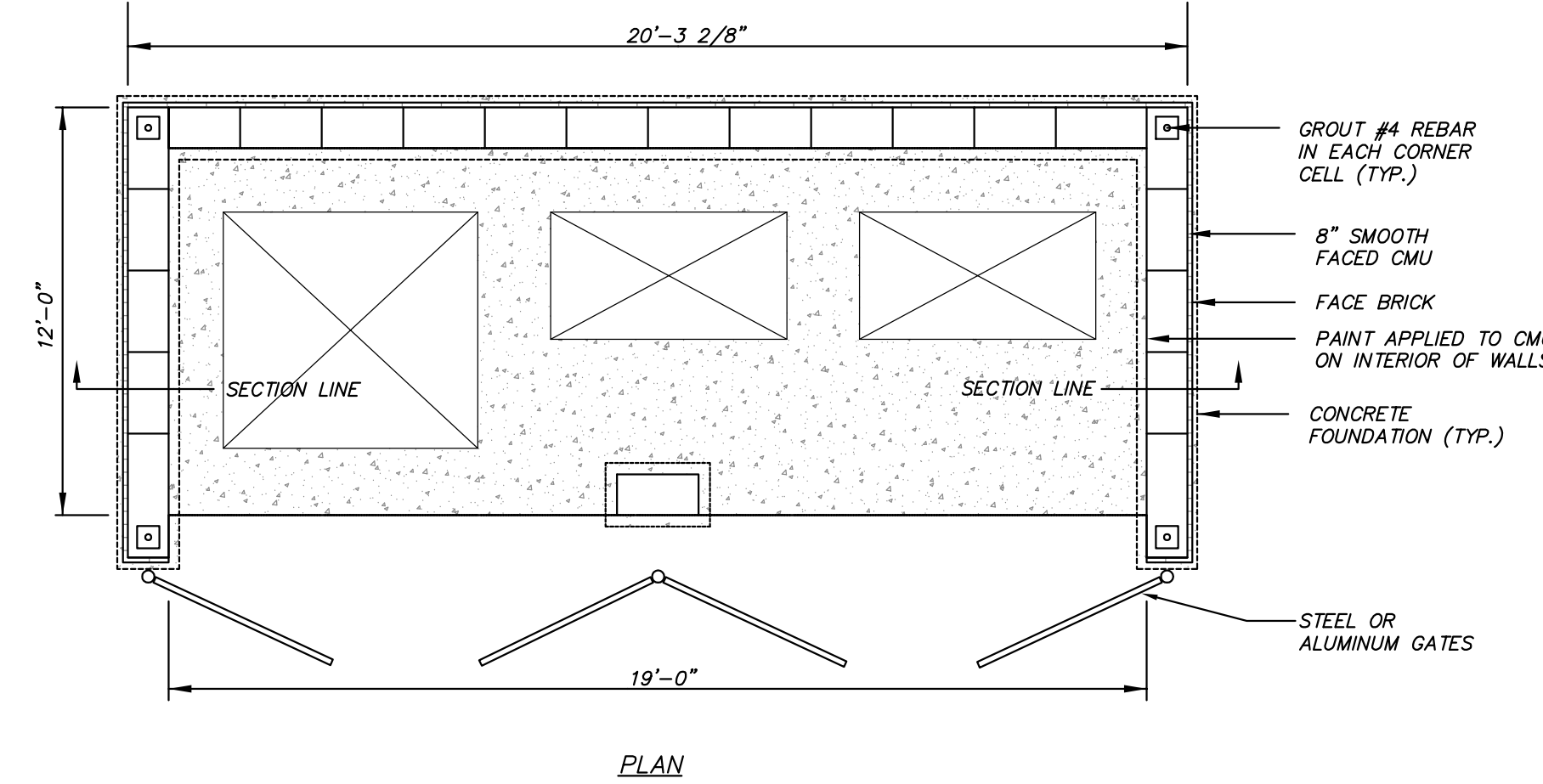
PAINTED STOP BAR DETAIL
(N.T.S.)

NOTE: INSTALLATION TO CONFORM WITH CURRENT NYS DOT STANDARDS AND SPECIFICATIONS.

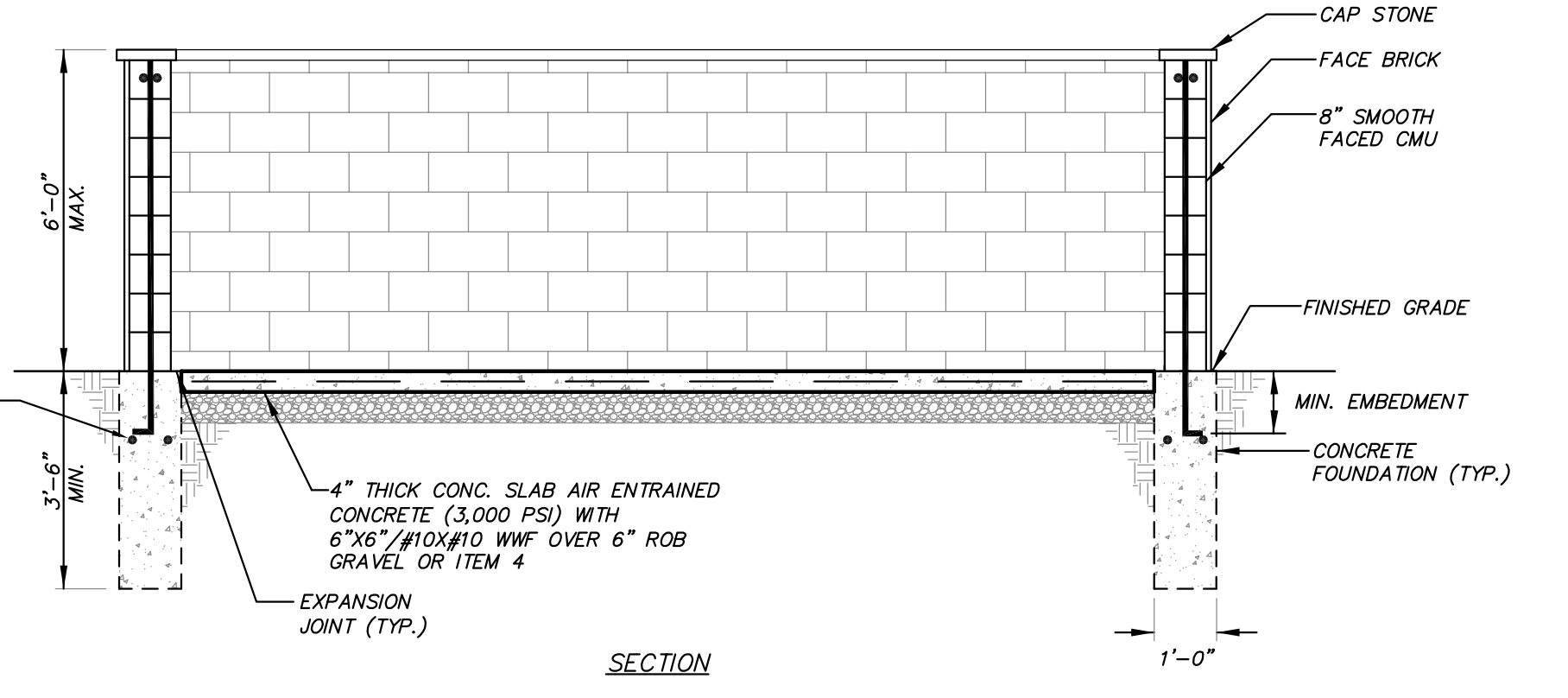


PAINTED NYS ACCESSIBLE PARKING DETAIL
(N.T.S.)

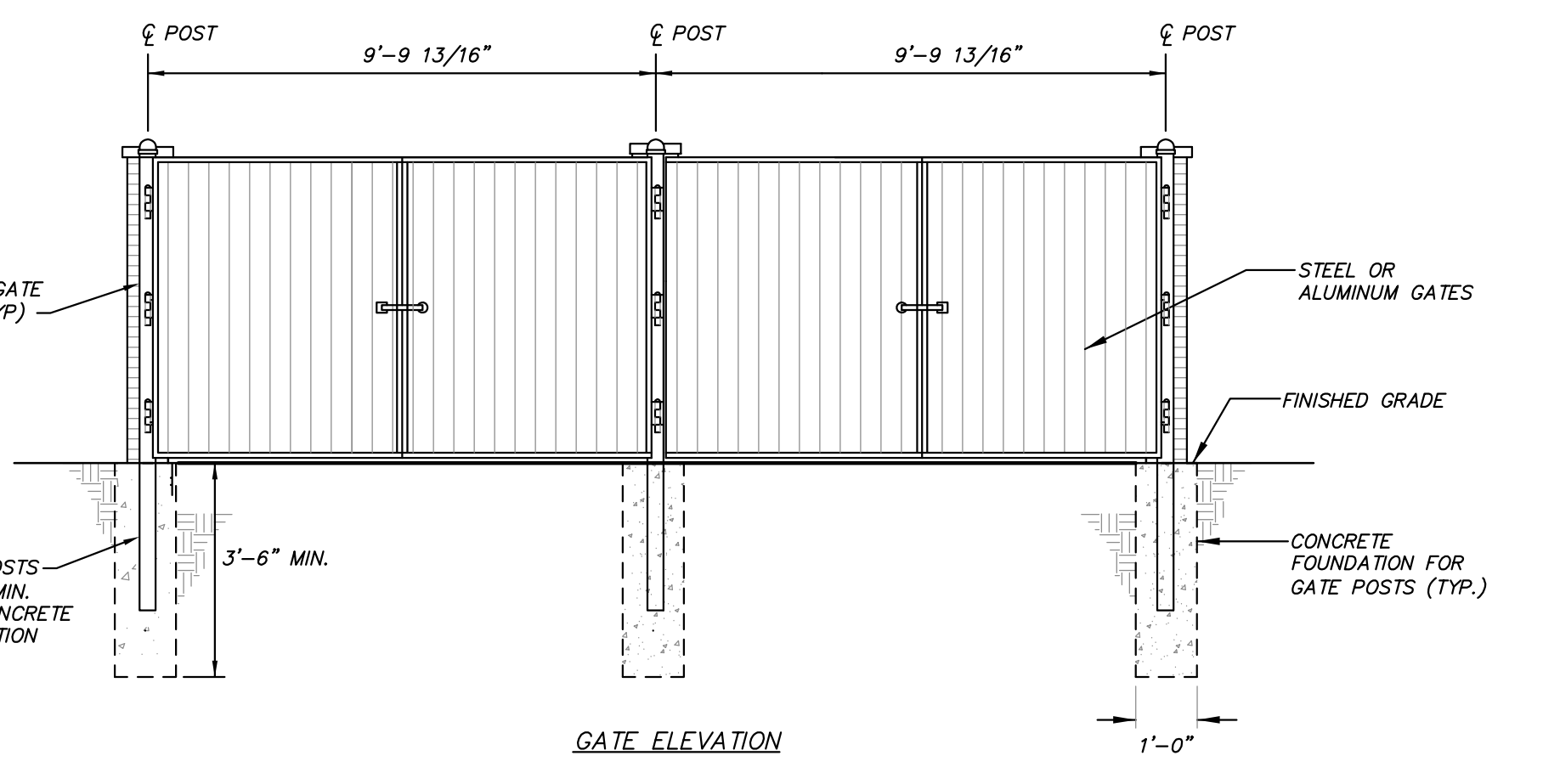
NOTE:
1. ALL HANDICAP STRIPING SHALL BE 4" WIDE BLUE PAINT



PLAN



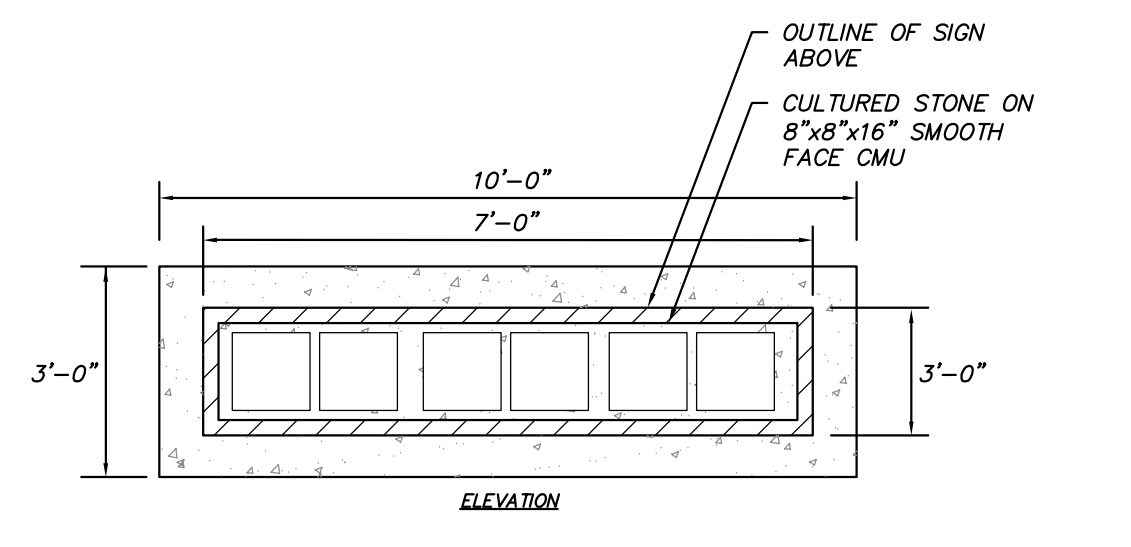
SECTION



GATE ELEVATION

- NOTES:**
1. CHECK WITH REFUSE HAULER PRIOR TO INSTALLATION OF REFUSE ENCLOSURE FOR DIMENSIONS.
 2. DUMPSTER ENCLOSURE SHALL BE FIRE PROOF OR FIRE RETARDANT.
 3. COLORS SHALL BE COMPATIBLE WITH ADJOINING BUILDINGS.

CONCRETE DUMPSTER ENCLOSURE DETAIL
(N.T.S.)



MONUMENT SIGN DETAIL
(N.T.S.)

INSITE
ENGINEERING, SURVEYING & LANDSCAPE ARCHITECTURE, P.C.

3 Garrett Place
Carmel, NY 10512
(845) 225-9690
(845) 225-9717 fax
www.insite-eng.com

PROJECT: ARTIS SENIOR LIVING OF TARRYTOWN
152 WHITE PLAINS ROAD, VILLAGE OF TARRYTOWN, WESTCHESTER COUNTY, NEW YORK

DRAWING: DETAILS

PROJECT NUMBER	17200.100	PROJECT MANAGER	R.D.W.	DRAWING NO.	SHEET
DATE	1-28-19	DRAWN BY	A.K.M.	D-1	9
SCALE	AS NOTED	CHECKED BY			12

ALTERATION OF THIS DOCUMENT, UNLESS UNDER THE DIRECTION OF A LICENSED PROFESSIONAL ENGINEER, IS A VIOLATION OF SECTION 2209 OF ARTICLE 145 OF THE EDUCATION LAW.